

## TOROIDE

*Toroid*

### CARATTERISTICHE TECNICHE / Technical characteristics

FIN TR	Permeabilità $\mu$ Permeability $\mu$
.3600	5000
.4900	10000 *
.6300	10000 *
.1000	5500 *

(\*) Valore rilevato a 100 kHz con 10 spire  
Value at 100 kHz with 10 coils

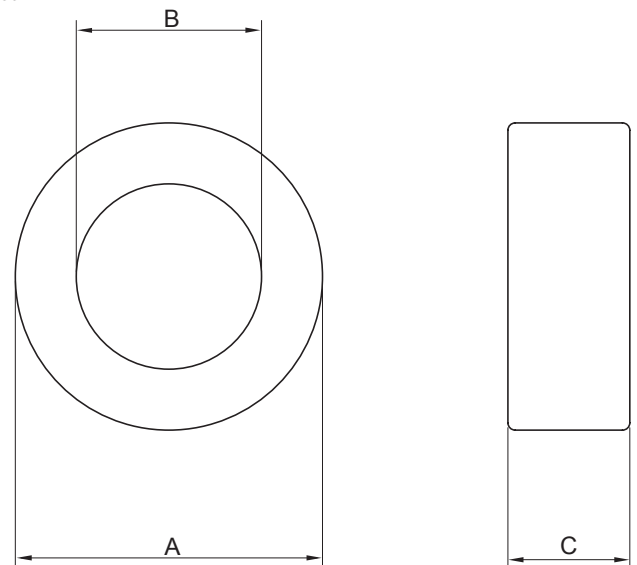
### DIMENSIONI MECCANICHE (mm)

*Mechanical dimensions (mm)*

FIN TR	A	B	C
.3600	37	22	16
.4900	49	34	16
.6300	63	38	25
.1000	102	66	15

### CUSTODIA

*Case*



## FERRITE

*Ferrite*

### CARATTERISTICHE TECNICHE / Technical characteristics

FIN FE	Permeabilità $\mu$ Permeability $\mu$
.13	1000 $\pm$ 25%

### DIMENSIONI MECCANICHE (mm)

*Mechanical dimensions (mm)*

FIN FE	A	B	C	D
.13	30	30	13	22

### CUSTODIA

*Case*

